

订购信息

端口 1
端口 2
SS - 10B - YT4 - YT6M - 05 - NY - YC2
1
2
3
4
5
6
7
8

| | | | | | | | | | | | | | | | | | | | | | | | | | | | | | | | | | | | | | | | | | | | | | | | | | | | | |
|--|----------------|-------------------|--|---|--------------|-------------|---|-------------|--------------|---|--------------|----------------|---|-------------|----------------|---|--------------|----------------|---|-------------|----------------|---|--------------|----------------|---|-------------|----------------|---|--------------|----------------|----|--------------|--------------|----|----------------|--------------|----|--------------|--------------|----|----------------|-----------|----|--------------|----------|----|----------------|-----------------|----|------------|-------------------|--|
| <div style="margin-bottom: 10px;"> <p>1 材料</p> <p>SS 316 SS S4 304 SS S6L 316L SS S4L 304L SS B 黄铜</p> </div> <div style="margin-bottom: 10px;"> <p>2 系列</p> <p>10B 10B 系列球阀</p> </div> <div style="margin-bottom: 10px;"> <p>3 端接类型</p> <p>YT YT-LOK 卡套端 NT NPT 螺纹端 PT ISO 锥形螺纹端 PP ISO 平行螺纹端 (G垫片密封) PPG ISO 平行螺纹端 (GE垫片密封) PPR ISO 平行螺纹端 (GR垫片密封) MS 公制螺纹端</p> </div> <div> <p>4 端接尺寸</p> <table border="0" style="width: 100%; margin-top: 10px;"> <tr> <td style="width: 30%;"></td> <td style="width: 30%; text-align: center;">端口为公制螺纹时</td> <td style="width: 30%;"></td> </tr> <tr> <td>1</td><td>1/16" 或者 1mm</td><td>8 M8x1</td></tr> <tr> <td>2</td><td>1/8" 或者 2mm</td><td>10 M10x1</td></tr> <tr> <td>3</td><td>3/16" 或者 3mm</td><td>12 M12x1.5</td></tr> <tr> <td>4</td><td>1/4" 或者 4mm</td><td>14 M14x1.5</td></tr> <tr> <td>5</td><td>5/16" 或者 5mm</td><td>16 M16x1.5</td></tr> <tr> <td>6</td><td>3/8" 或者 6mm</td><td>18 M18x1.5</td></tr> <tr> <td>7</td><td>7/16" 或者 7mm</td><td>20 M20x1.5</td></tr> <tr> <td>8</td><td>1/2" 或者 8mm</td><td>22 M22x1.5</td></tr> <tr> <td>9</td><td>9/16" 或者 9mm</td><td>24 M24x1.5</td></tr> <tr> <td>10</td><td>5/8" 或者 10mm</td><td>27 M27x2</td></tr> <tr> <td>11</td><td>11/16" 或者 11mm</td><td>30 M30x2</td></tr> <tr> <td>12</td><td>3/4" 或者 12mm</td><td>33 M33x2</td></tr> <tr> <td>13</td><td>13/16" 或者 13mm</td><td>非上述螺纹螺距时应</td></tr> <tr> <td>14</td><td>7/8" 或者 14mm</td><td>注明螺距, 例:</td></tr> <tr> <td>15</td><td>15/16" 或者 15mm</td><td>20x2 M20x2</td></tr> <tr> <td>16</td><td>1" 或者 16mm</td><td>27x1.5 M27x1.5</td></tr> </table> </div> | | 端口为公制螺纹时 | | 1 | 1/16" 或者 1mm | 8 M8x1 | 2 | 1/8" 或者 2mm | 10 M10x1 | 3 | 3/16" 或者 3mm | 12 M12x1.5 | 4 | 1/4" 或者 4mm | 14 M14x1.5 | 5 | 5/16" 或者 5mm | 16 M16x1.5 | 6 | 3/8" 或者 6mm | 18 M18x1.5 | 7 | 7/16" 或者 7mm | 20 M20x1.5 | 8 | 1/2" 或者 8mm | 22 M22x1.5 | 9 | 9/16" 或者 9mm | 24 M24x1.5 | 10 | 5/8" 或者 10mm | 27 M27x2 | 11 | 11/16" 或者 11mm | 30 M30x2 | 12 | 3/4" 或者 12mm | 33 M33x2 | 13 | 13/16" 或者 13mm | 非上述螺纹螺距时应 | 14 | 7/8" 或者 14mm | 注明螺距, 例: | 15 | 15/16" 或者 15mm | 20x2 M20x2 | 16 | 1" 或者 16mm | 27x1.5 M27x1.5 | <div style="margin-bottom: 10px;"> <p>5 区别码</p> <p>F 表示螺纹为内螺纹, 没有时为外螺纹 M 表示尺寸为公制, 没有时为英制 P 表示对焊、插焊端为 Pipe管, 没有时为Tube管</p> </div> <div style="margin-bottom: 10px;"> <p>6 内通径</p> <p>05 0.19"(4.8mm) 08 0.31"(8.0mm) 13 0.50"(12.7mm) 15 0.59"(15.0mm)</p> </div> <div style="margin-bottom: 10px;"> <p>7 手柄</p> <p>无 默认为不锈钢手柄 NY 尼龙</p> </div> <div> <p>8 清洗和包装</p> <p>无 默认为一般工业清洗 YC2 YT-LOK特殊清洗和包装, 产品洁净度达到ASTM G93 级别C 中规定的要求, 可适用于富氧环境</p> </div> |
| | 端口为公制螺纹时 | | | | | | | | | | | | | | | | | | | | | | | | | | | | | | | | | | | | | | | | | | | | | | | | | | | |
| 1 | 1/16" 或者 1mm | 8 M8x1 | | | | | | | | | | | | | | | | | | | | | | | | | | | | | | | | | | | | | | | | | | | | | | | | | | |
| 2 | 1/8" 或者 2mm | 10 M10x1 | | | | | | | | | | | | | | | | | | | | | | | | | | | | | | | | | | | | | | | | | | | | | | | | | | |
| 3 | 3/16" 或者 3mm | 12 M12x1.5 | | | | | | | | | | | | | | | | | | | | | | | | | | | | | | | | | | | | | | | | | | | | | | | | | | |
| 4 | 1/4" 或者 4mm | 14 M14x1.5 | | | | | | | | | | | | | | | | | | | | | | | | | | | | | | | | | | | | | | | | | | | | | | | | | | |
| 5 | 5/16" 或者 5mm | 16 M16x1.5 | | | | | | | | | | | | | | | | | | | | | | | | | | | | | | | | | | | | | | | | | | | | | | | | | | |
| 6 | 3/8" 或者 6mm | 18 M18x1.5 | | | | | | | | | | | | | | | | | | | | | | | | | | | | | | | | | | | | | | | | | | | | | | | | | | |
| 7 | 7/16" 或者 7mm | 20 M20x1.5 | | | | | | | | | | | | | | | | | | | | | | | | | | | | | | | | | | | | | | | | | | | | | | | | | | |
| 8 | 1/2" 或者 8mm | 22 M22x1.5 | | | | | | | | | | | | | | | | | | | | | | | | | | | | | | | | | | | | | | | | | | | | | | | | | | |
| 9 | 9/16" 或者 9mm | 24 M24x1.5 | | | | | | | | | | | | | | | | | | | | | | | | | | | | | | | | | | | | | | | | | | | | | | | | | | |
| 10 | 5/8" 或者 10mm | 27 M27x2 | | | | | | | | | | | | | | | | | | | | | | | | | | | | | | | | | | | | | | | | | | | | | | | | | | |
| 11 | 11/16" 或者 11mm | 30 M30x2 | | | | | | | | | | | | | | | | | | | | | | | | | | | | | | | | | | | | | | | | | | | | | | | | | | |
| 12 | 3/4" 或者 12mm | 33 M33x2 | | | | | | | | | | | | | | | | | | | | | | | | | | | | | | | | | | | | | | | | | | | | | | | | | | |
| 13 | 13/16" 或者 13mm | 非上述螺纹螺距时应 | | | | | | | | | | | | | | | | | | | | | | | | | | | | | | | | | | | | | | | | | | | | | | | | | | |
| 14 | 7/8" 或者 14mm | 注明螺距, 例: | | | | | | | | | | | | | | | | | | | | | | | | | | | | | | | | | | | | | | | | | | | | | | | | | | |
| 15 | 15/16" 或者 15mm | 20x2 M20x2 | | | | | | | | | | | | | | | | | | | | | | | | | | | | | | | | | | | | | | | | | | | | | | | | | | |
| 16 | 1" 或者 16mm | 27x1.5 M27x1.5 | | | | | | | | | | | | | | | | | | | | | | | | | | | | | | | | | | | | | | | | | | | | | | | | | | |

YT-LOK 10B 系列球阀型号必须依次包含: 材料, 系列, 端口1, 端口2, 内通径。其余部分并非必须, 可根据需要选择。各部分用 "-" 隔开, 从左到右依次排列。当端口2和端口1代码完全相同时, 端口2代码将被省略。端口1和端口2见P2。

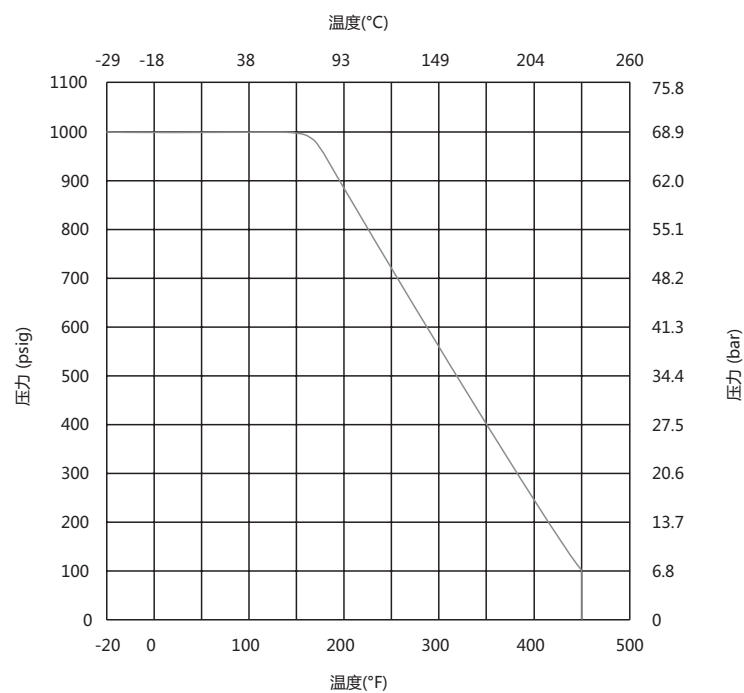
3片式球阀

13B 系列

特点

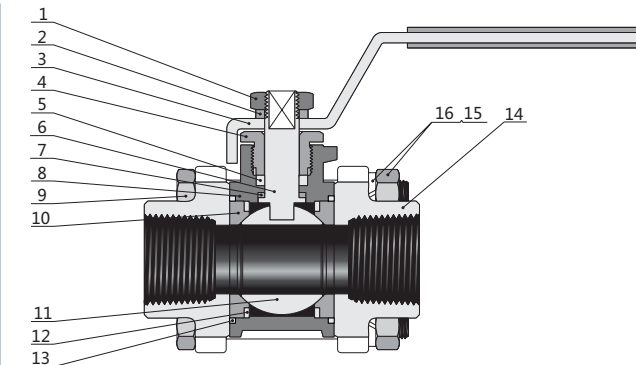
- ◆ 三片式法兰螺栓连接
- ◆ 最大工作压力：68.9 bar(1000 psig)
- ◆ 工作温度：-29°C 至 232°C(-20°F 至 450°F)
- ◆ 双流动
- ◆ 防飞出阀杆设计
- ◆ 尺寸
3/8" 至 3" 管螺纹
NPS 3/8 至 3 pipe管对焊或者插焊
1/2" 至 2" 或者 12 mm 至 50 mm tube管对焊或者插焊
1/2" 至 2" 或者 12 mm 至 38 mm 卡套端
1/2" 至 4" 法兰
- ◆ 内通径：10 mm 至 76 mm
- ◆ 气动和电动执行器可供选择
- ◆ 每只阀门出货前均用氮气按最大工作压力进行测试

温压曲线

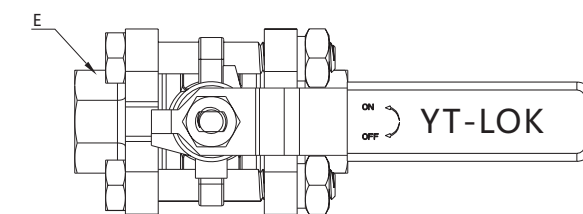
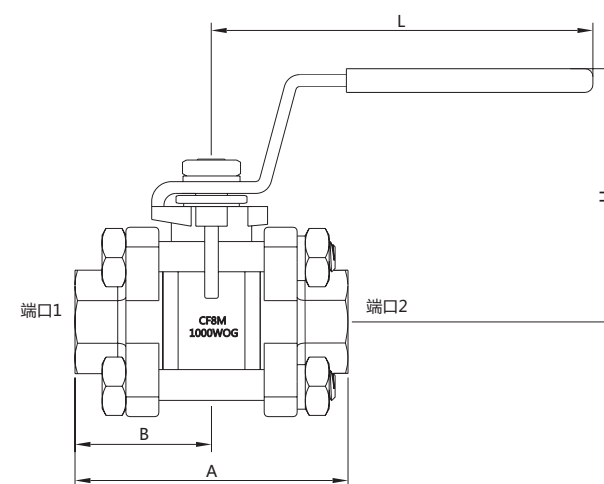


标准结构材料

| 序号 | 元件 | 阀门材料等级/ASTM 规范 | | | |
|----|------|----------------------------|-----------|----------|----------|
| | | CF8M/A351 | CF3M/A351 | CF8/A351 | CF3/A351 |
| 1 | 阀杆螺母 | Gr. 8M/A194 | | | |
| 2 | 垫片 | 不锈钢 | | | |
| 3 | 手柄 | 304 SS/A240 (带有蓝色乙烯手柄套) | | | |
| 4 | 填料螺栓 | 316 SS/A276 或者 304 SS/A276 | | | |
| 5 | 填料 | PTFE/D1710 | | | |
| 6 | 阀杆 | 316 SS/A276 | | | |
| 7 | 阀杆挡圈 | PTFE/D1710 | | | |
| 8 | 阀体 | CF8M/A351 | CF3M/A351 | CF8/A351 | CF3/A351 |
| 9 | 螺栓 | Gr. 8M/A193 | | | |
| 10 | 阀座 | PTFE/D1710 | | | |
| 11 | 球 | 316 SS/A276 | | | |
| 12 | 支撑环 | 316 SS/A276 | | | |
| 13 | 端密封圈 | PTFE/D1710 | | | |
| 14 | 端接 | CF8M/A351 | CF3M/A351 | CF8/A351 | CF3/A351 |
| 15 | 弹性垫圈 | 不锈钢 | | | |
| 16 | 螺母 | Gr. 8M/A194 | | | |
| | 润滑剂 | 硅酮基和PTFE基 | | | |



尺寸



| 端接类型和尺寸 | 内通径 in. (mm) | 基本订购号 | Cv | 尺寸, in. (mm) | | | | | | |
|---------------|-----------------|----------------|----------------|-----------------|----------------|-----------------|-----------------|-----------------|----------------|-----------------|
| | | | | A | B | E | H | L | | |
| 12 mm YT-LOK | 0.39 (10.0) | -13B-YT12M-10 | 7.5 | 4.04 (103.0) | 2.02 (51.3) | 0.93 (23.5) | 2.15 (54.7) | 3.94 (100.0) | | |
| 14 mm YT-LOK | | -13B-YT14M-10 | | | | | | | | |
| 1/2" YT-LOK | | -13B-YT8-10 | | | | | | | | |
| 16 mm YT-LOK | | -13B-YT16M-10 | | 4.06 (103.0) | 2.03 (51.6) | 0.88 (22.3) | 2.26 (57.5) | 3.94 (100.0) | | |
| 5/8" YT-LOK | | -13B-YT10-10 | | | | | | | | |
| 3/8 NPT内螺纹 | | -13B-NT6F-10 | | | | | | | | |
| 3/8 BSPP内螺纹 | | -13B-PPG6F-10 | | | | | | | | |
| 1/2 公称管对焊 | | -13B-BW8P-10 | | | | | | | | |
| 3/8 公称管插焊 | | -13B-SW6P-10 | | | | | | | | |
| 18 mm YT-LOK | | 0.59 (15.0) | | -13B-YT18M-15 | 13.0 | 4.06 (103.2) | 2.03 (51.6) | 1.06 (27.0) | 2.26 (57.5) | 3.94 (100.0) |
| 20 mm YT-LOK | | | | -13B-YT20M-15 | | | | | | |
| 3/4" YT-LOK | | | | -13B-YT12-15 | | | | | | |
| 1/2 NPT内螺纹 | -13B-NT8F-15 | | 2.74 (69.5) | 1.37 (34.8) | | 1.06 (27.0) | 2.26 (57.5) | 3.94 (100.0) | | |
| 1/2 BSPP内螺纹 | -13B-PPG8F-15 | | | | | | | | | |
| 22 mm 卡套管对焊 | -13B-BW22M-15 | | | | | | | | | |
| 18 mm 卡套管插焊 | -13B-SW18M-15 | | | | | | | | | |
| 3/4" 卡套管插焊 | -13B-SW12-15 | | | | | | | | | |
| 1/2 公称管插焊 | -13B-SW8P-15 | | | | | | | | | |
| 22 mm YT-LOK | 0.79 (20.0) | | -13B-YT22M-20 | 50.0 | | 5.36 (136.0) | 2.68 (68.1) | 1.34 (34.0) | 2.48 (63.0) | 5.08 (129.0) |
| 25 mm YT-LOK | | | -13B-YT25M-20 | | | | | | | |
| 28 mm YT-LOK | | | -13B-YT28M-20 | | | | | | | |
| 1" YT-LOK | | -13B-YT16-20 | | | | | | | | |
| 3/4 NPT内螺纹 | | -13B-NT12F-20 | | | | | | | | |
| 3/4 BSPP内螺纹 | | -13B-PPG12F-20 | | | | | | | | |
| 25 mm 卡套管对焊 | | -13B-BW25M-20 | 1.63 (41.3) | | 2.97 (75.5) | 6.14 (156.0) | | | | |
| 3/4 公称管对焊 | | -13B-BW12P-20 | | | | | | | | |
| 25 mm 卡套管插焊 | | -13B-SW25M-20 | | | | | | | | |
| 1" 卡套管插焊 | | -13B-SW16-20 | | | | | | | | |
| 3/4 公称管插焊 | | -13B-SW12P-20 | | | | | | | | |
| 1 1/4" YT-LOK | | -13B-YT20-25 | | | | | 7.59 (193.0) | 3.79 (96.3) | 1.63 (41.3) | 2.97 (75.5) |
| 1 NPT内螺纹 | -13B-NT16F-25 | | | | | | | | | |
| 1 BSPP内螺纹 | -13B-PPG16F-25 | | | | | | | | | |
| 1 公称管对焊 | -13B-BW16P-25 | | | | | | | | | |
| 1 公称管插焊 | -13B-SW16P-25 | | | | | | | | | |

| 端接类型和尺寸 | 内通径 in. (mm) | 基本订购号 | Cv | 尺寸, in. (mm) | | | | |
|---------------|-----------------|----------------|-------|-----------------|-----------------|-----------------|-----------------|-----------------|
| | | | | A | E | B | H | L |
| 1 1/4 NPT内螺纹 | 1.26 (32.0) | -13B-NT20F-32 | 110.0 | 4.33 (110.0) | 2.17 (55.0) | 1.94 (49.2) | 3.19 (81.0) | 6.14 (156.0) |
| 1 1/4 BSPP内螺纹 | | -13B-PPG20F-32 | | | | | | |
| 1 1/4 公称管对焊 | | -13B-BW20P-32 | | | | | | |
| 1 1/2 NPT内螺纹 | 1.50 (38.0) | -13B-NT24F-38 | 130.0 | 4.72 (120.0) | 2.36 (60.0) | 2.24 (57.0) | 3.70 (94.0) | 7.19 (182.5) |
| 1 1/2 BSPP内螺纹 | | -13B-PPG24F-38 | | | | | | |
| 1 1/2 公称管对焊 | | -13B-BW24P-38 | | | | | | |
| 2 NPT内螺纹 | 1.97 (50.0) | -13B-NT32F-50 | 270.0 | 5.51 (140.0) | 2.75 (70.0) | 2.76 (70.0) | 4.11 (104.5) | 7.19 (182.5) |
| 2 BSPP内螺纹 | | -13B-PPG32F-50 | | | | | | |
| 2 公称管对焊 | | -13B-BW32P-50 | | | | | | |
| 2 1/2 NPT内螺纹 | 2.50 (63.5) | -13B-NT40F-64 | 350.0 | 7.28 (185.0) | 3.64 (92.5) | 3.39 (86.0) | 5.16 (131.0) | 9.92 (252.0) |
| 2 1/2 BSPP内螺纹 | | -13B-PPG40F-64 | | | | | | |
| 2 1/2 公称管对焊 | | -13B-BW40P-64 | | | | | | |
| 3 NPT内螺纹 | 2.99 (76.0) | -13B-NT48F-76 | 500.0 | 8.07 (205.0) | 4.04 (102.5) | 3.98 (101.0) | 5.47 (139.0) | 9.92 (252.0) |
| 3 BSPP内螺纹 | | -13B-PPG48F-76 | | | | | | |
| 3 公称管对焊 | | -13B-BW48P-76 | | | | | | |

- 1、YT-LOK表示YT-LOK双卡套端；
- 2、表列尺寸是YT-LOK卡套螺母手紧状态下的尺寸，所有尺寸仅供参考，随时可能变更；
- 3、表列型号和尺寸均为标准，需要其它型号和尺寸请联系英斯蒙特或其授权代表。